



solo

Fabricating for a better tomorrow
He waka eke noa

E01

**CULVERT PE
PIPE**

FABRICATING FOR A BETTER TOMORROW

Solo's Vision is "*Fabricating for a Better Tomorrow*". We sustainably manufacture infrastructure solutions in PE and PVC for the people of New Zealand, focusing on values that help to conserve and protect our planet whilst always watching over our whanau. Now *that's* standing for better...

Solo Plastics
Phone +64 9828 9594
contact@solo.co.nz
solo.co.nz

25-33 Honan Place
Avondale
Auckland
New Zealand



Culvert Pipe - The Tough Solution	1
Culvert Pipe Specifications	2
SPL450	2
SPL600	3
SPL800	3
SPL1000	4
SPL1200	4
SPL1500	5
Applications Include	5

CULVERT PE PIPE

Culvert Pipe - The Tough Solution

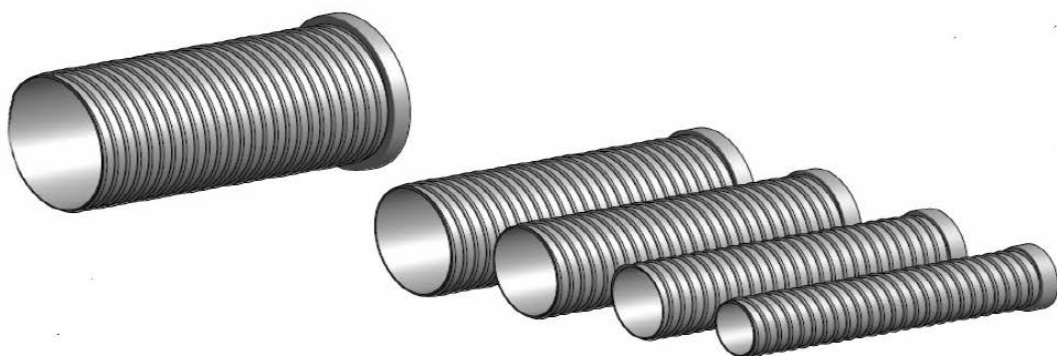
Made from Black Polyethylene

- Lightweight
- Easy Handling
- Solid Ribbed profile for extra strength
- Smooth Internal bore
- Socket included on each length
- Sealed systems if required
- Tanks available



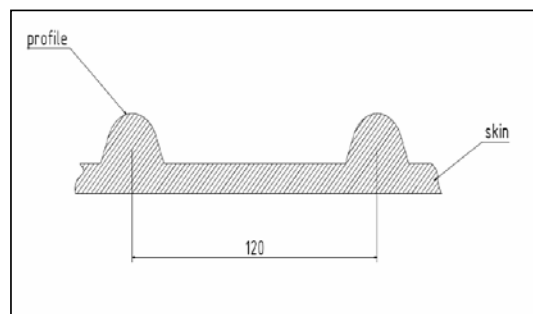
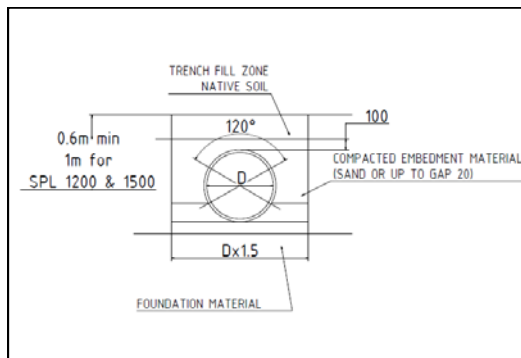
Sizes

450Ø	600Ø	800Ø	1000Ø	1200Ø	1500Ø
------	------	------	-------	-------	-------



CULVERT PE PIPE

Culvert Pipe Specifications



Code: SPL450

Inside Diameter	450mm
Outside Diameter	500mm
Skin Thickness	4mm
Profile Height	20mm
Weight 6m	85kg
Approx Stiffness Moment of Inertia	291
Two axle load max	30 ton

CULVERT PE PIPE

Code: SPL600

Inside Diameter	600mm
Outside Diameter	660mm
Skin Thickness	6mm
Profile Height	25mm
Weight 6m	140kgs
Approx Stiffness Moment of Inertia	459
Two axle load max	20 ton

Code: SPL800

Inside Diameter	800mm
Outside Diameter	860mm
Skin Thickness	6mm
Profile Height	25mm
Weight 6m	180kgs
Approx Stiffness Moment of Inertia	459
Two axle load max	12 ton

CULVERT PE PIPE

Code: SPL1000

Inside Diameter	1000mm
Outside Diameter	1070mm
Skin Thickness	6mm
Profile Height	25mm
Weight 6m	230kgs
Approx Stiffness Moment of Inertia	459
Two axle load max	12 ton

Code: SPL1200

Inside Diameter	1200mm
Outside Diameter	1270mm
Skin Thickness	8mm
Profile Height	25mm
Weight 6m	320kgs
Approx Stiffness Moment of Inertia	585
Two axle load max	12 ton*

CULVERT PE PIPE

Code: SPL1500

Inside Diameter	1500mm
Outside Diameter	1580mm
Skin Thickness	12mm
Profile Height	30mm
Weight 6m	510kgs
Approx Stiffness Moment of Inertia	915
Two axle load max	12 ton*

Applications Include



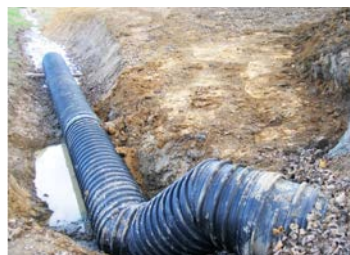
Dam floodgates for water storage



Underground tanks for Detention/Retention solutions



Pipe relining for culvert reinstatement



Drainage Solutions with a complete range of fittings



Site Welding